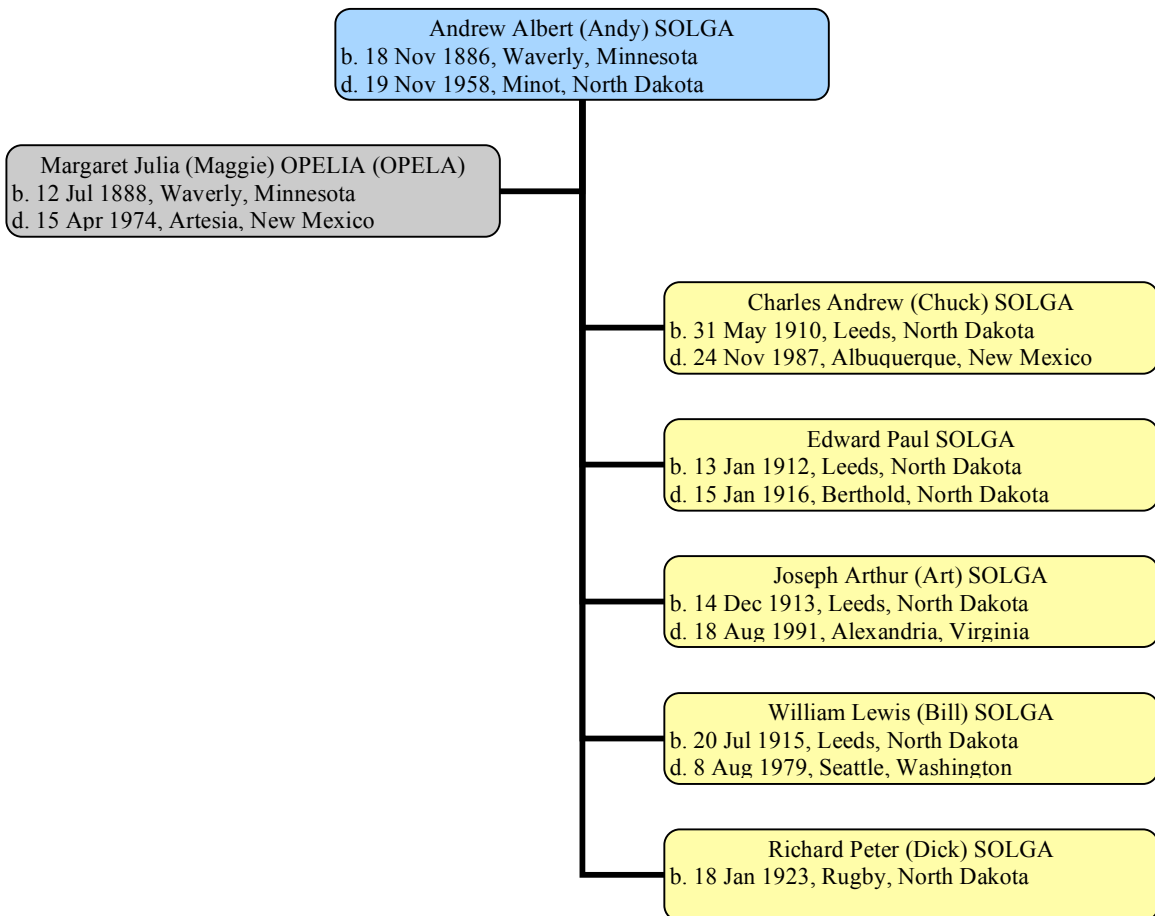


Children and Descendants of Rochus and Margaretha Rose Solga

Andrew Albert Solga

Married Margaret Julia Opelia 24 May 1909, Browerville, Minnesota



Note: Dick's reflections of his father, Andrew Solga, are written in a following chapter.

Andrew Albert SOLGA and Margaret Julia OPELIA Family Tree

Charles Andrew (Chuck) SOLGA *m. Mary Pauline MAUS (26 Dec 1940)*

Mary Anne SOLGA *m. Don WARE (7 Feb 1961)*
 b. 3 Jul 1942, Roswell, New Mexico... *m. Vernon Giles PIXLEY (1964)*

Anna Marie WARE... *m. Stephen WILES (27 Apr 1996)*
 b. 7 Oct 1961

Matthew WILES
 3 Apr 1999, Aurora, Colorado

Mary Elizabeth WILES
 1 Jul 2001, Aurora, Colorado

Gregory Giles PIXLEY... *m. Nancy Marie STEMBAUGH*
 b. 25 May 1966, Little Rock, Arkansas

Amber PIXLEY
 b. 3 Jun

Landon PIXLEY
 b. 23 Apr

Kerry PIXLEY ... *m. Travis WHITE (1998)*
 b. 25 Jan 1968

Kaylie WHITE
 b. 13 Jan 1999 Las Vegas, Nevada

Faith WHITE
 b. 19 Feb 2000, Las Vegas, Nevada

Mark PIXLEY ... *m. Briana BURKS (12 Dec 2001)*
 b. 23 Apr 1970, Little Rock, Arkansas

Lois Margaret SOLGA *m. Hugh Ivan BIRCH (1962)*
 b. 27 Mar 1944, Portales, New Mexico

Charles Ivan BIRCH
 b. 16 May 1963, Albuquerque, New Mexico

George Andrew BIRCH...*m. Glenna BUELL*
 b. 27 Oct 1965, Charleston, Illinois

Susan Denise BIRCH... *m. Terry WHITE*
 b. 10 Dec 1967, Albuquerque, New Mexico *m. B. GOBERT*

Brandie WHITE
 2 Feb 1988, Charleston, Illinois

Kathleen WHITE
 12 Feb 1992, Charleston, Illinois

Benjamin WHITE
 23 Dec 1995, Charleston, Illinois

Dorothy Nell SOLGA *m. Richard Halliday COOK Jr.(15 Jan 1966)*
b. 29 Apr 1946, Portales, New Mexico... .. *m. Robert Douglas HATTEN*

Richard Halliday COOK III *m. Tina GIORDANO*
b. 25 Oct 1968, Albuquerque, New Mexico

Blake Anthony GIORDANO
6 Jan 1997, Orlando, Florida

Steven Arthur COOK
b. 20 Apr 1971, Albuquerque, New Mexico

Charlene SOLGA *m. Charles BERG (1965)*
b. 7 Jul 1948, Artesia, New Mexico *m. Petre WEH (1973)*
... .. *m. Kenneth CASEY*

Michelle BERG-WEH... .. *m. Eric THULIN*
b. 23 Sep 1966, Denver, Colorado

Ian THULIN
b. 11 Nov 1993, Albuquerque, New Mexico

Grant THULIN
b. 28 Apr 1996, Albuquerque, New Mexico

Tagen THULIN
b. 28 Jul 1999, Albuquerque, New Mexico

Lee BERG-WEH... .. *m. Trevor STEPHESON*
b. 14 Jun 1969, Albuquerque, New Mexico

Brook STEPHESON
b. 23 Sep 2000, Lubbock, Texas

Amy BERG-WEH
b. 14 Jun 1969

Thomas Charles SOLGA... .. *m. Sandy STANCELL*
b. 21 Jan 1950, Albuquerque, New Mexico

Rebecca SOLGA
b. 20 Mar 1976, Farmington, New Mexico

Leslie SOLGA
b. 22 Nov 1978, Farmington, New Mexico

Jayne SOLGA
b. 8 May 1980, Farmington, New Mexico

Thomas SOLGA
b. 11 Mar 1982, Farmington, New Mexico

Christa SOLGA
b. 10 Apr 1985, Farmington, New Mexico

Nicholas SOLGA
b. 19 Dec 1991, Farmington, New Mexico

John SOLGA
b. 8 Jul 1955

Elizabeth SOLGA
b. 7 Apr 1961, Albuquerque, New Mexico

Edward Paul SOLGA

Joseph Arthur (Art) SOLGA *m. Evelyn Priscilla BURNS (28 Oct 1940)*

Jay Michael SOLGA *m. Audrey Ruth GRAEME (1 Apr 1967)*

b. 16 Apr 1942, Grand Island, Nebraska

d. 18 Jun 2000

Kevin Michael SOLGA

b. 2 Oct 1967

Janet Evelyn SOLGA

b. 3 Jul 1973, Alexandria, Virginia

Stephen Graeme SOLGA

b. 25 Oct 1974, Alexandria, Virginia

Jan Joseph SOLGA

b. 29 Jan 1945, Washington, DC

Claire Lenore SOLGA *m. Joseph John SUNDRA (28 Nov 1970)*

b. 16 Jan 1949, Washington, DC

Derek Burns SUNDRA

b. 29 Dec 1974, Alexandria, Virginia

Megan Elizabeth SUNDRA

b. 19 Feb 1977, Alexandria, VA

Todd Joseph SUNDRA

b. 5 Oct 1978, Alexandria, VA

William Lewis (Bill) SOLGA *m. Marian Sofie EKREN (30 Dec 1939)*

Joan Marie SOLGA *m. Robert Bruce RUTHERFORD (8 Aug 1965)*

b. 6 Jan 1943, Great Falls, Montana

Amy Louise RUTHERFORD *p. Debra MERRIGAN (28 Aug 2000)*

b. 7 Feb 1967, Camp Pendleton, California

Sofie Elizabeth MERRIGAN

2 Jan 2005, Seattle, Washington

Lara Marie RUTHERFORD *m. Sean MACDONALD (5 Dec 1999)*

b. 30 Mar 1968, Camp Pendleton, California

Dylan Bruce MACDONALD

b. 21 Apr 2003, West Lafayette, Indiana

Mark Adam RUTHERFORD *m. Jeannie Marie KROHN (28 Sep 2001)*

b. 22 Dec 1969, Vancouver, Washington

Kyle Adam RUTHERFORD

b. 25 Dec 2003, Thousand Oaks, California

Peyton Rose RUTHERFORD

b. 30 Oct 2006, Thousand Oaks, California

Marilyn Louise SOLGA *m. Brad Steven JONAS (3 Nov 1979)*
b. 2 Jun 1955, Whitefish, Montana

Jayne Marie JONAS... .. *m. Steve SIMMONS (27 Aug 2005)*
b. 17 May 1981, Bellevue, Washington

Jodi Renee JONAS
b. 12 May 1985, Bellevue, Washington

Richard Peter (Dick) SOLGA *m. Doris Mae KIMBALL (6 Aug 1945)*

Kimberlie Ann (Kim) SOLGA *m. Frederic William (Fred) SMITH III (23 Jan 1980)*
b. 25 Aug 1948, Minot, North Dakota *Divorced 20 Mar 1986*

Nichole Solga (Nici) SMITH
b. 26 Jun 1980, Fort Brag, California

Jacqueline Joan (Jackie) SOLGA *m. Robert Ronald (Rob) PHILLIPS (Feb 1972 /Divorced*
b. 7 May 1950, Minot, North Dakota... .. *m. Donald (Don) JAMES (17 Jul 1993)*

Ryan Solga PHILLIPS
b. 11 Apr 1976, Vallejo, California

Heather Solga PHILLIPS *m. Wesley (Wes) CLANTON (9 Nov 2002)*
b. 16 Dec 1977, Vallejo, California

Tyler Wesley CLANTON
b. 3 Jun 2005, Santa Barbara, California

Madison Brook CLANTON
b. 6 Mar 2007, Santa Barbara, California

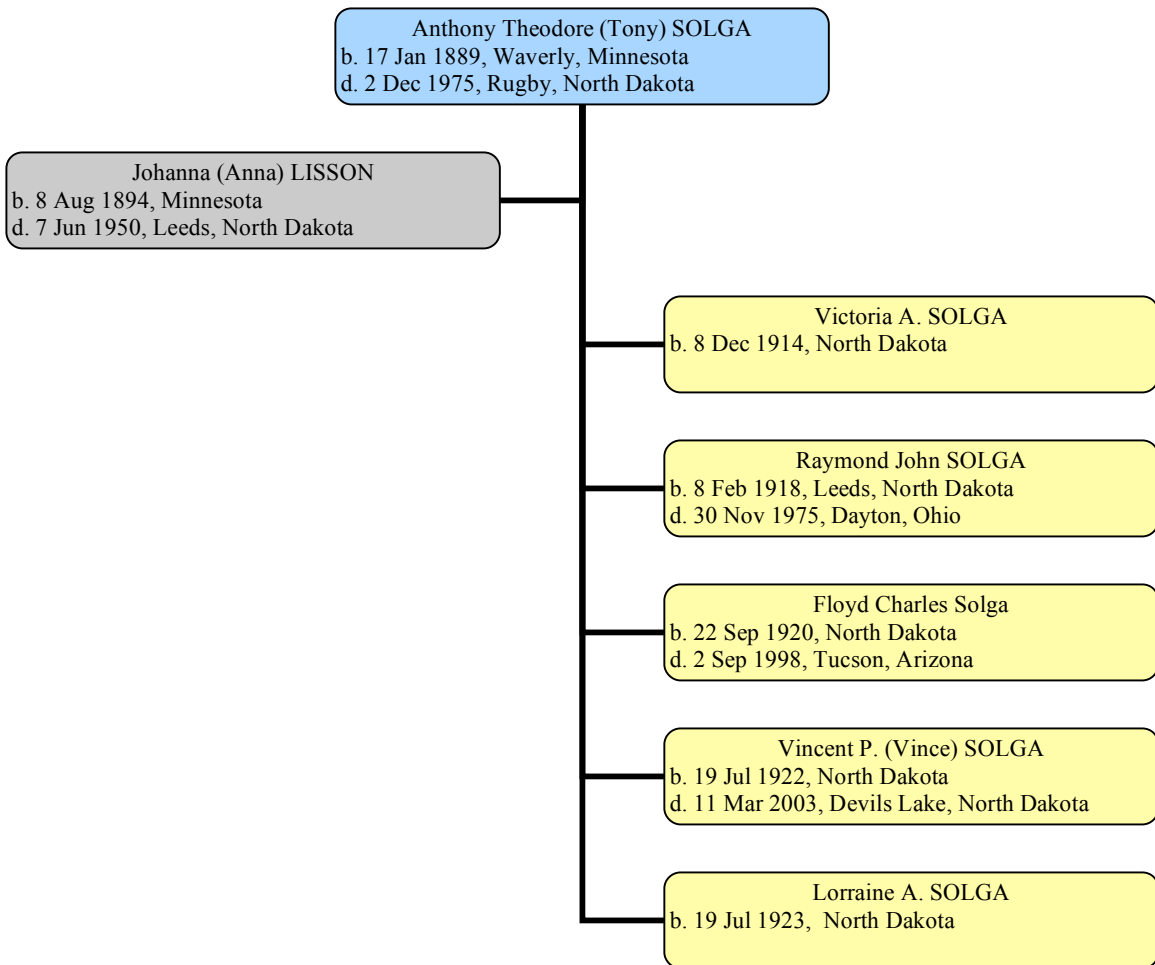
Kathryn Lynn (Kathy) SOLGA *m. Tom MEANS (7 Aug 1976)*
b. 3 Dec 1954, Sidney, Montana

Daniel (Dan) MEANS
b. 17 Jun 1983, Santa Clara, California

Matthew (Matt) MEANS
b. 2 Aug 1985, Santa Clara, California

Anthony Theodore Solga

Married Johanna Lisson approximately 1910



Recollections of Richard Peter (Dick) Solga

Tony was a short, wiry type individual; a hard working section foreman for the Great Northern Railroad. As a child visiting his cousins, Dick didn't have much contact with Tony because he was often at work. One thing Tony did that sticks in Dick's mind is that when the railroad came through there was lots of right away land. In the big area across the tracks from the section house in Leeds Tony had a huge garden. During the depression, he would let many "travelers" on the train reap from the garden. He told Dick "he'd plant one for himself and two for the hobos". His hope was to treat them well so they wouldn't steal from his home. Tony was always interested in what his children were doing, but never seemed to get upset with them.

Dick recalls Anna hollering at night to the boys who were reading by flashlight in bed to turn off their lights and go to sleep.



***Tony and Anna with Children**
Victoria, Lorraine, Vincent, Floyd, and Raymond*

Victoria was the oldest cousin and Dick remembers her as kind of bossy (as an adult she lived on a farm outside of Leeds, ND). Lorraine was just a little girl. She didn't play with the boys, but was a nice kid. Raymond was off on his own most of the time when Dick visited.

Raymond was a big talker, showing off about drinking beer and smoking. Floyd and Vincent were closer to Dick's age, and he remembers going around town with them. He recalls a scam they did to get spending money. His cousins would go down to the depot where the bottling company would collect their bottles to ship back to the brewery. "Picnic" beer bottles (large size) had a large deposit. One cousin would distract the depot staff while the other would

sneak into the bin and drop some bottles through a hole so they fell under the platform. They'd then collect the bottles and cash them in for money. Dick also recalls that his cousins had dug a cave opposite the section house where they had a clubhouse. Another memory was gathering pop tops, core out the cork, and set the metal caps on the train track to be squashed flat into rounds which they would then pretend to be money for their Cowboy/Indian game.

When Tony's kids came to Minot to visit they were fascinated with the flush toilet since their section house only had an out house.



Raymond & Victoria



Raymond, Floyd, & Victoria



Anna Lisson Solga



Victoria & Anna

Anthony Theodore SOLGA and Johanna LISSON Family Tree

<p>Victoria A. SOLGA Farmer's Wife</p>		<p><i>m. Einer D. SKOLD</i></p>
	<p>Elise Ann SKOLD</p>	<p><i>m. Jim</i></p>
	<p>James Einer SKOLD b. 1 Jul 1952</p>	<p><i>m. Dianna L.</i></p>
		<p>Megan L. SKOLD... b. 1 Dec 1980</p>	<p><i>m. Bob Holm</i></p>
		<p>Jessica SKOLD ...</p>	<p><i>m. Justin (Aug 2005)</i></p>
<p>Raymond John SOLGA Electrical Engineer (General Electric)</p>		<p><i>m. Marciel Jean BESSER (Jul 1948) Divorced 1962</i></p>
	<p>Tony Charles Stanton (Stepson) b. 1943</p>		
	<p>Chris Adair Stanton (Stepson) b. 1944 d. 1986</p>		
	<p>Janie Stanton (Stepdaughter) b. 1946</p>	<p><i>m. Tom Kennerk</i></p>
	<p>Raymond Anthony Patrick SOLGA ... b. 8 Mar 1950, Ft. Wayne, Indiana</p>	<p><i>m. Joellen Francis Marie DILLEY (27 Jun 1970)</i></p>
		<p>Danielle Marie SOLGA... b. 4 Sep 1971, Ft. Wayne, Indiana</p>	<p><i>m. Timothy William UEBER (22 Apr 1995)</i></p>
			<p>Alexander Matthew UEBER (adopted) b. 2 Feb 2003, Fisher, Indiana</p>
		<p>Cherie Andrea SOLGA ... b. 3 Jun 1974, Ft. Wayne, Indiana</p>	<p><i>m. Christopher Barton HAWLEY (28 Sep 1996)</i></p>
			<p>Tre Christian HAWLEY b. 20 Mar 1998, Michigan</p>
			<p>Noah Christopher HAWLEY b. 25 Jan 200, Michigan</p>
			<p>Reese Anthony HAWLEY b. 3 Jan 2003, Ft. Wayne, Indiana</p>
			<p>Infant HAWLEY b./d. 2004</p>
			<p>Keira Elizabeth HAWLEY b. 9 Sep 2005, Ft. Wayne, Indiana</p>
	<p>James Vincent Paul SOLGA... b. 8 Jul 1951, Ft. Wayne, Indiana d. 24 Mar 1999, Ft. Wayne, Indiana</p>	<p><i>m. Sandra Kay RODEY (1976) Divorced 1984</i></p>

Nicholas James SOLGA

b. 10 Dec 1978, Ft. Wayne, Indiana

Richard Charles SOLGA

b. 30 May 1957, Ft. Wayne, Indiana...

m. Georgette BONIFAS (1975)

m. Debra Marie Eichler (30 Jun 1984)

Adam Charles SOLGA...

b. 18 Aug 1975, Ft. Wayne, Indiana

m. Monica Pauline ABNEY (17 Mar 2001)

Kelly SOLGA

b./d. 20 Oct 2002, Ft. Wayne, Indiana

Zander Charles SOLGA

b. 18 Aug 2003, Ft. Wayne, Indiana

Zoe SOLGA

b. 7 Feb 2005, Ft. Wayne, Indiana

Joshua Raymond SOLGA

b. 10 May 1980, Ft. Wayne, Indiana

Adalyn Dawn SOLGA

b. 9 Jun 2007

Carol Ann SOLGA

b. 30 Aug 1958, Ft. Wayne, Indiana

d. 1 Nov 1958, Ft. Wayne, Indiana

John Michael SOLGA

b. 8 Dec 1959, Ft. Wayne, Indiana ...

m. Janet King (18 Jul 1981) Divorced July 1985

m. Jill A. Underwood (12 May 1990)

Megan Taylor SOLGA

b. 30 Oct 1992, Ft. Wayne, Indiana

Floyd Charles SOLGA

Tire Rebuilder

m. Lillian Basara Harrigfeld

Vincent P. SOLGA

m. Mildred (Millie)

Gregory SOLGA

Lorraine A. SOLGA

m. William Lawrence (Skinner) TESTER (15 May 1944)

Frances Solga

Married Joseph Wodarz in 1909.



Frances (Francis) SOLGA
b. 29 Sep 1890, Browerville, Minnesota
d. 17 Mar 1955

Joseph (Joe) WODARZ
b. 23 Apr 1886, Germany/Poland
d. 1929ish, Browerville, Minnesota

Raymond (Ray) John WODARZ
b. 26 Jul 1911, Browerville, Minnesota
d. 29 Apr 2002, Long Prairie, Minnesota

Martin Joseph WODARZ
b. 16 Feb 1913
d. 18 Oct 1983, Minnesota

Charles (Charlie) E. WODARZ
b. 21 Oct 1914
d. 20 Jun 1986, Morrison, Minnesota

Josephine WODARZ
b. between 1915-1920
d. around age 3-4 yrs based on funeral photo

Lucille J. WODARZ
b. 11 Feb 1924, Minnesota
d. 6 June 1986, Todd County, Minnesota

James Joseph (Joe) WODARZ
b. 10 Nov 1929, Minnesota
d. 13 Nov 1985, Minnesota

Recollections of Richard Peter (Dick) Solga

Francis Solga



Francis Pictured on the Left



*Above photo is a postcard on the back of which is written,
"To Andrew Solga, Your sister Francis."*

Frances and Joe lived in a city farm house down the street from Rochus and Margaretha. Their son Raymond would hang out with Dick when they came to visit. Dick doesn't remember the other children.



Joe, Raymond & Francis



Joe, Ray, Martin and Francis

When Dick was very young, he recalls that Joe choose to end his life, perhaps in the 1929 or early 30s. Note that youngest child James (born Nov 1929 is not in photo).



*Francis with Martin, Charles, Lucille, and Ray
Photo taken at funeral for Joseph Wodarz*



*Funeral of Josephine Wodarz
Ray, Charles, and Martin pictured*

Frances SOLGA and Joe WODARZ

Family Tree

Raymond John WODARZ *m. Tilly OPELIA*
School Custodian

Martin Joseph WODARZ
Farmer/Carpenter

Mary Carol Sue WODARZ
b. 10 Jan 1942, Minnesota

Allan Michael WODARZ *m. Nancy J. GLEASON (22 Aug 1970)*
b. 30 May 1945, Minnesota

Nathan Michael WOODARZ *m. Kimberly M. JOHNSON (6 Aug 1994)*
b. 17 Mar 1973, Minnesota

Portia Dawn WOODARZ
b. 30 Dec 1998, North Dakota

Genevieve Michele WOODARZ
b. 10 June 2002, North Dakota

Joshua Allan WOODARZ
b. 22 Oct 1977, Minnesota

Rebecca Marie WOODARZ
b. 3 Apr 1981, Minnesota

Jo Ann WODARZ
b. 21 Jan 1948, Minnesota

Deborah Marie WODARZ *m. Nick J. CLOUTIER (4 Oct 1980)*
b. 18 May 1956, Minnesota

Patrick Martin WODARZ
b. 5 Jul 1958, Minnesota

Charles E. WODARZ

Josephine. WODARZ

Lucille J. WODARZ *m. LINE*

James Joseph (Joe) WODARZ *m. Janice Elaine FRENCH*

Jodie Louise WODARZ *m. Jan A. NORENBURG (7 Oct 1995)*
b. 27 Sep 1965, Minnesota

Peter Joseph WODARZ
b. 14 Jan 1967, Minnesota

Sophia Solga



b. 4 May 1892, Browerville, Minnesota
d. Sep 1970, Chicago, Illinois



Sophie on the left

Recollections of Richard Peter (Dick) Solga

She was known as Sophie. She worked as a housekeeper for Father Kuzniak in Perham, Minnesota (Dick guesses this began in the early 30s). Later in his career Father Kuzniak was transferred to Browerville, and Sophie went along as his housekeeper. Dick remembers both Father Kuzniak and Sophie visiting his family in New Rockford. Dick recalls her being very nice to him as a little kid. Dick was told by his mother that when Father Kuzniak died, he left his money to Sophie, and this upset the people of Browerville who felt the money should have been left to the church.



Sophie & Friend



Maggie & Sophie



Sophie, Andrew & Frank (Perham, Minn)

John Anthony Solga

Married Julia C. Lisowski



John Anthony SOLGA
b. 26 Dec 1894, Browerville, Minnesota
d. 25 Jul 1965

Julia C. LISOWSKI
b. 1896
d. 14 Mar 1945, Everett, Washington

Margaret SOLGA
b. 5 Jun 1920, Havre, Montana
d. 10 Sep 1994, Anacortes, Washington

Sylvester John (Syd) SOLGA
b. 6 Oct 1921
d. 26 Oct 1983, Spokane, Washington

Irene Mary SOLGA
b. 23 May 1923, Bellingham, Washington
d. 28 Dec 2006, Bellingham, Washington

George A SOLGA
b. 3 Jun 1925
d. 12 Sep 1999, Sumner, Washington

Recollections of Richard Peter (Dick) Solga



John



Julia with Margaret

Uncle John lived in Bellingham, WA. Sometime in the 30s Dick's family traveled out to visit. John, like Dick's father Andrew, also worked as a section foreman for the Great Northern Railroad and lived in a section house near the port facility. Dick remembers his Aunt Julia sending the boys down to the fish refinery to get the discarded salmon heads so she could get the long strip of flesh behind the eye for fish stew. Another time they went blackberry picking on Mount Baker. Uncle John use to take them around showing them the sights (first time Dick saw a field of celery). Being next to the ocean was also a treat for Dick. John and Julia moved to Leavenworth, WA. One time when Dick's brother Bill was in college, together they took a trip to the West Coast. They stopped in Leavenworth and visited (hung out a bit with Syd who was close to their age).



Syd



Irene with John and Wayne

Over the years Dick has heard from his cousin Irene (who had worked as a beautician). George was a priest; later married a widow with children. Dick remembers George at his brother Bill's funeral and recalls his amazing sense of humor. Syd was a roadmaster; also at Bill's funeral. Dick has no recollections of Margaret, who was the oldest.



John and Andrew



Julia, Maggie, Art, and John



*Postcard with image of a Great Northern Section Crew
John (see arrow) was the Section Foreman*



Postcard with image of Great Northern Crew Returning to Section House

John Anthony SOLGA and Julia LISOWSKI Family Tree

Margaret SOLGA *m. Walt BRODNIAK (7 Sept 1946)*

Steve BRODNIAK *m. Barbara DAWSON*
b. 8 Dec 1941, Wenatchee, Washington

Ryan BRODNIAK
b. 7 May 1977

Julee Ann BRODNIAK *m. Tony NEUPERT*
b. 5 Dec 1951, Wenatchee, Washington

Michael NEUPERT

Abbey NEUPERT

Sylvester John (Syd) SOLGA *m. Marcella HUGHEY*

Terry SOLGA *m. Dennis DENNY*
b. 28 Jun 1948, Everett, Washington

Shannon Catherine DENNY
b. 9 Dec 1970

Jason Michael DENNY
b. 13 Mar 1973

Kristin Jennifer DENNY
b. 11 Jul 1978

Barbara SOLGA
b. 29 Jul 1955, Everett, Washington

Irene Mary SOLGA *m. John VETTER (15 Jun 1946)*

Wayne VETTER *m. Sue Halverson*
b. 28 Sep 1953, Everett, Washington

George SOLGA *m. Billy SMITH (10 Feb 1973)*

Gertrude Leone Solga



b. 17 Mar 1897, Browerville, Minnesota
d. 1 Dec 1976, Crosslake, Minnesota

Recollections of Richard Peter (Dick) Solga

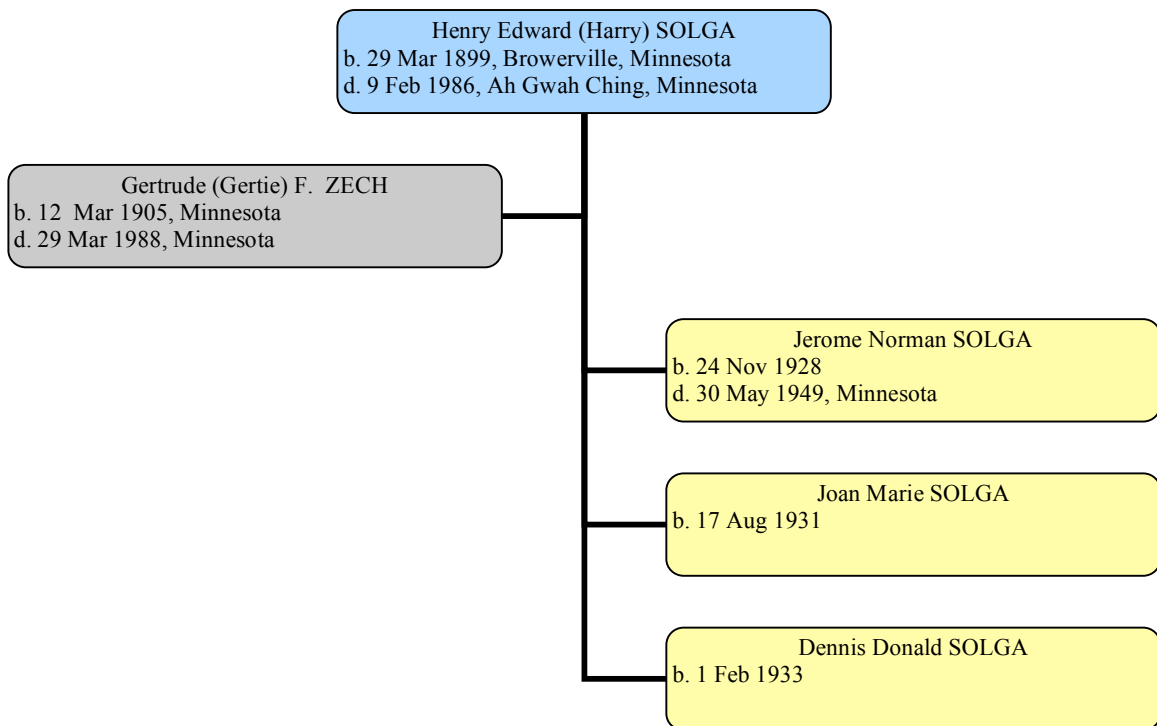
Dick has no significant recollection of Gertrude. He believes she worked as a waitress in Minneapolis; an outgoing type of person. He saw her a few times in Browerville when the whole family gathered.



Sophie, Agnes & Gertrude

Henry (Harry) Solga

Married Gertrude (Gertie) F. Zech 21 Sept 1927



Recollections of Richard Peter (Dick) Solga

Dick has no recollection of his Uncle Harry. Census lists his occupation as that of a farmer. His obituary mentions farming and carpentry as occupation. Harry's wife, Gertrude, was a waitress and worked in the Browerville Milk Plant. Karen Gess states, "Harry fell from a barn roof. After this accident he became violent and was hospitalized in a home for the mentally ill. This was in 1941. He never came home again."



Farm House Built by Harry



Joan
(Pronounced Jo Ann)

Henry Edward SOLGA and Gertrude ZECH

Family Tree

Jerome Norman SOLGA

Joan Marie SOLGA m. Vincent MacKendanz (23 Oct 1951)

Bruce Thomas MACKENDANZ ... m. Patricia Maureen VEARRIER

Kristeen Maureen MACKENDANZ

b. 22 Oct 1979

Theresa Jo MACKENDANZ

b. 16 Jul 1981

Benjamin Thomas MACKENDANZ

b. 14 Jun 1984

Kathleen Marie MACKENDANZ

b. 25 Mar 1988

Corine Elizabeth MACKENDANZ

b. 27 May 1990

Paul Joseph MACKENDANZ

b. 19 May 1992

Marissa Anne MACKENDANZ

b. 10 Apr 1995

Brendan James MACKENDANZ

b. 3 Sept 1997

Patrick Vincent MACKENDANZ ... m. Joan Marie HOLTZ

Sarah Marie MACKENDANZ

b. 16 Feb 1981

Darren Patrick MACKENDANZ

b. 21 Jul 1982

Michael John MACKENDANZ

b. 7 Apr 1984

Sarah Marie MACKENDANZ ... m. Bradley Duane BUTENHOFF

Gavin Bradley BUTENHOFF

b. 20 Mar 2001

Grace Elizabeth BUTENHOFF

b. 20 Mar 2001

Hannah Claire BUTENHOFF

b. 2 Sept 2002

Mytchel Davis BUTENHOFF

b. 12 Sept 2005

Dennis Donald SOLGA

... ..

m. Deann Gay Farber (29 May 1956)

Divorced 1964

... ..

m. Audrey Smith (1972)

Debra Jean SOLGA

b. 9 Oct 1956

... ..

m. William Ross BENDSON (11 Aug 1973)

...

m. Lyle JOHNSON (21 May 1988)

...

m. Mitchell E. STEVENS (5 Oct 2001)

Jason Edward BENDSON

b. 15 Mar 1975

m. Keri Lynn KITTLESon (19 Aug 1995)

Taylor James BENDSON

b. 24 Feb 1994

Alexis Dawn BENDSON

b. 30 Mar 1995

Jacob Edward BENDSON

b. 10 Aug 1999

Grace Evelyn BENDSON

b. 27 Dec 2004

Ross Michael BENDSON

b. 3 Oct 1978

m. Kelly Katherine VOLD (9 June 2007)

Cameron Mikkel WHITE (stepson)

b. 18 Oct 1999

Brianna BENDSON

b. 4 July 2005

Ashley Jean BENDSON

b. 29 Nov 1983

m. Keith TROUT (28 Apr 2007)

Isaac Matthew TROUT

b. 5 Mar 2006

Donald Jerome SOLGA

b. 15 Jan 1958

... ..

m. Michelle Jean BERNHOFT (15 Nov 1980)

Kristin Michelle SOLGA

b. 3 Mar 1985, Minnesota

m. Daniel J. BUNDRICK (12 Aug 2006)

Megan Dawn SOLGA

b. 10 Jul 1987, Minnesota

David Joseph SOLGA *m. Kathleen OLSON (25 Aug 1983)*
b. 7 Apr 1959, Minnesota

Shane David SOLGA
b. 30 Jun 1985

Stephanie Kathleen SOLGA
b. 1 Apr 1987, Minnesota

Cynthia Ann SOLGA *m. David MARSH (15 May 1982)*
b. 19 Apr 1960, Minnesota

Eric Alan MARSH
b. 25 Jun 1978

Shawna Joann MARSH
b. 13 Jul 1982

Duane Harold SOLGA *m. Claudia Neff TROUT (21 Apr 1990)*
b. 25 Dec 1962, Minnesota

Anais Neff SOLGA
b. 9 Apr 1992, Minnesota

April DeAnn SOLGA
b. 23 Jun 1997, Minnesota

Frank Solga

Married Lucy Zech



Frank SOLGA
b. 10 May 1903, Browerville, Minnesota
d. 8 Jan 1965, Browerville, Minnesota

Lucy ZECH
b. 13 Dec 1910
d. 25 Oct 1991, Minnesota

Recollections of Richard Peter (Dick) Solga

Uncle Frank lived upstairs in his parents home, converting the second floor into an apartment that he and his wife lived in while Rochus and Margaretha lived downstairs. Frank was a truck driver. They had no children.



Sylvester Zech, Lucy (Zech) Solga & Frank Solga



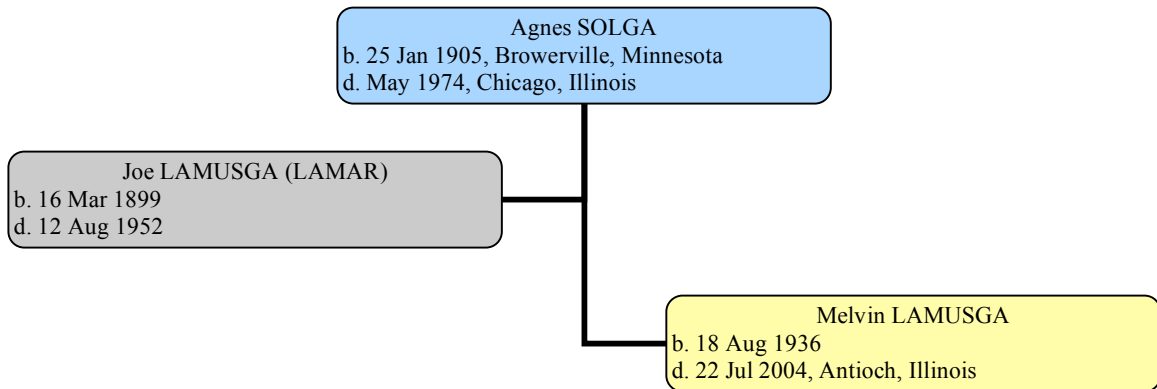
Lucy



Frank

Agnes Solga

Married Joseph Lamusga



Recollections of Richard Peter (Dick) Solga

Dick remembers visiting Agnes in Chicago when he was probably fifteen years old (1930-40s). His family went there for a railway conference. Agnes had one son. Dick got the impression that Agnes did not want her son to come in contact with him. Dick remembers Agnes' husband suggesting that he and Dick go to the ball park to see Babe Ruth, to which Dick, the small town boy from Rugby, responded, "Who's Babe Ruth?" They didn't go.



Agnes with Melvin



Sophia with Melvin & Agnes

Agnes SOLGA and Joe LAMUSGA
Family Tree

Melvin LAMUSGA	<i>m. Lorraine PASDRO</i>
William LAMUSGA	<i>m. Susan</i>
Steven LAMUSGA	
James LAMUSGA	<i>m. Karen</i>
Julie LAMUSGA	<i>m. Stephen Jelinck</i>